

# SPECIFICATION FOR ELECTRO -MANGNETIC TRANSDUCER

Customer	
Customer P/N	
BeStar Model Name	BMT0903H5.5 LF
Product No.	010700
Issue No.	BS/TET01.076B
Issue Date	07/10/09

## Approval:

- 1.Characteristics
- 2.Dimension
- 3.Reliability Test
- 4.Packing
- 5.Notice
- 6.History change record

Drawn by	Checked by	Approved by	Customer approved
张高君	陶红仲	张秀琴	

For conform to the European Union Directive on the Restriction of Hazardous Substances(RoHS), this type of productions forbid use all the hazardous substances as follow:

Lead  
Cadmium  
Mercury  
Hexavalent chromium  
Polybrominated biphenyls (PBB)  
Polybrominated diphenyl ethers (PBDE)



**BESTAR ELECTRONICS INDUSTRY CO.,LTD**  
 No.199 HuangHe West Road.New district, changzhou,  
 jiangsu Province,P.R.China  
 Tel:86-519-88222567 Fax:86-519-88222551  
 Http:www.be-star.com  
 E-mail: wu@be-star.com, info@be-star.com

# BMT0903H5.5 LF



## 1. Characteristics

### 1.1 Electrical and Mechanical Characteristics

No.	Item	Specification
1.	Rated Voltage(Square Wave)	3 Vo-p
2.	Operating Voltage	2...6Vo-p
3.	a)Rated Current	max.80mA
4.	Coil Resistance	25 ± 4Ω
5.	b)Coil Impedance	45Ω
6.	a)Sound Output at 2730,10cm	Min.82dB
7.	Rated Frequency	2731Hz
8.	Operating Temperature	-25...+70 °C
9.	Storage Temperature	-40...+80 °C
10.	Weight	1g
a)Value applying at rated voltage.(2731Hz, square wave,1/2duty)		
b)Value applying 2731Hz,sine wave,measuring 60μA		

### 1.2 Test method:

**1.21.Recommended Circuit**  
the following are examples of externally driven circuits.

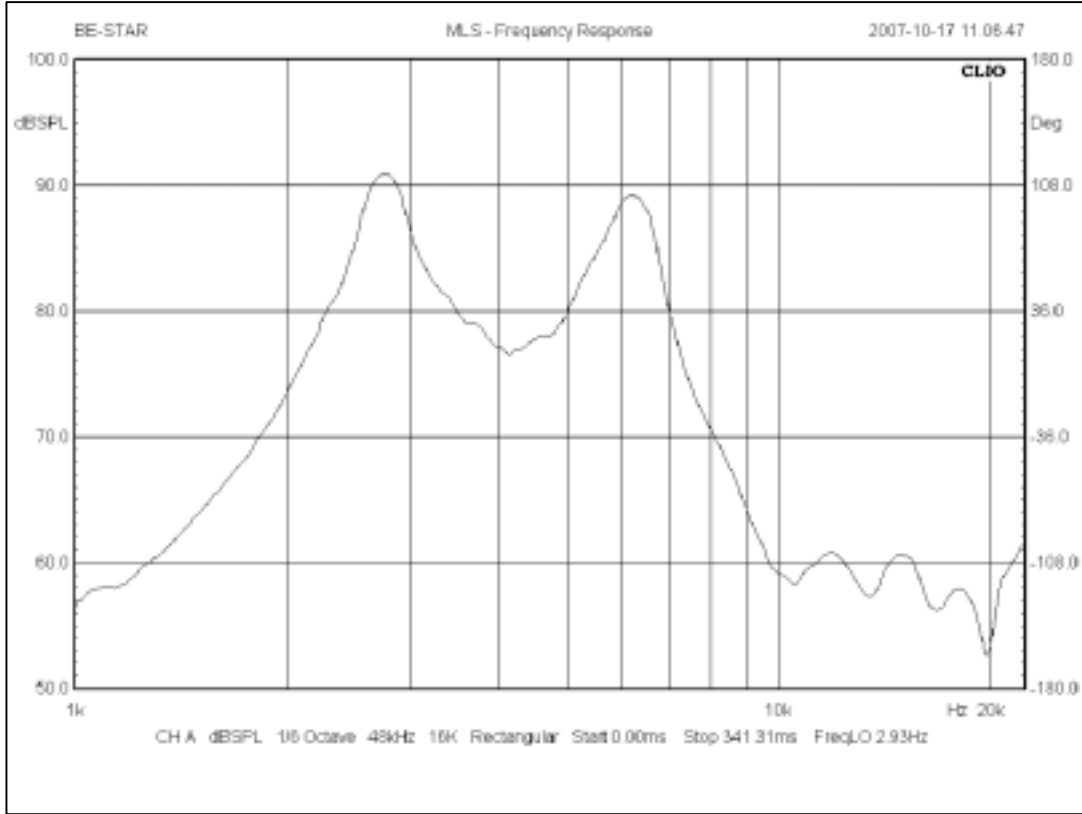
**1.22.Standard text Fixture**  
No reaction in space with 40mm in all direction

				Date:	07/10/09	BMT0903H5.5 LF	
B	07/10/09	张尚君		Drawn by:	张尚君		
A	02/07/04	姜丽敏		Checked by:	陶红仲	Transducer	
REV.	Date	Drawn	Note	Approved by:	张秀琴		
BESTAR ELECTRONICS INDUSTRY CO.,LTD www.be-star.com wu@be-star.com						DRG NO: BS/TET01.076B	Page:1 of 5

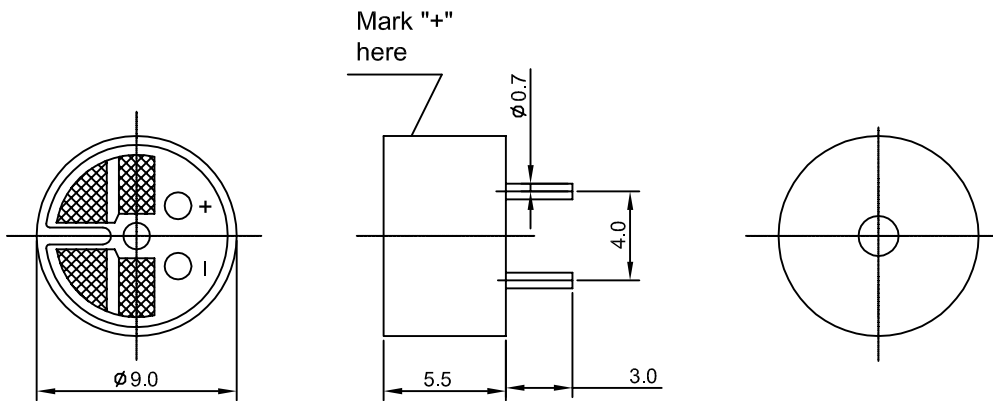
This print and information there in are propriety to Bestar Electronics Industry Co., Ltd. and shall not be used in whole or in part without its written content

# BMT0903H5.5 LF

## 1.3 Frequency Response :



## 2. Dimension



Tolerance:  $\pm 0.3$  Unit: mm

				Date:	07/10/09	BMT0903H5.5 LF
B	07/10/09	张尚君		Drawn by:	张尚君	
A	02/07/04	姜丽敏		Checked by:	陶红仲	Transducer
REV.	Date	Drawn	Note	Approved by:	张秀琴	

BESTAR ELECTRONICS INDUSTRY CO.,LTD

www.be-star.com wu@be-star.com

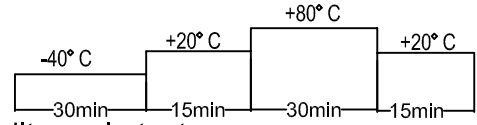
DRG NO: BS/TET01.076B

Page:2 of 5

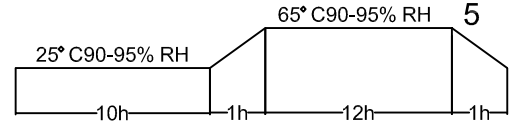
# BMT0903H5.5 LF

## 3. Reliability test

- 3.1 High temperature storage test
  - Temperature +80° C
  - Duration 96hrs
- 3.2 Low temperature storage test
  - Temperature -40° C
  - Duration 96hrs
- 3.3 Life test in normal temperature
  - Power supply Rated voltage
  - Duration 1000hrs
- 3.4 Temperature cycle test
  - Cycles 5



- 3.5 Humidity cycle test
  - Cycles 5



All these tests above should be measured after leaving normal temperature for 2hrs.

- 3.6 Vibration Test
  - Vibration Frequency 10~55Hz
  - Amplitude 1.53mm
  - Direction 3(x.y&z)
  - Duration 2hrs each direction (total 6 hrs)
- 3.7 Drop test
  - Height 70cm
  - (to 10mm thickness woodenboard)
  - Direction 3(x.y&z)
- 3.8 Solderability Test
  - Soldering Temperature 255° C
  - Duration 3 sec

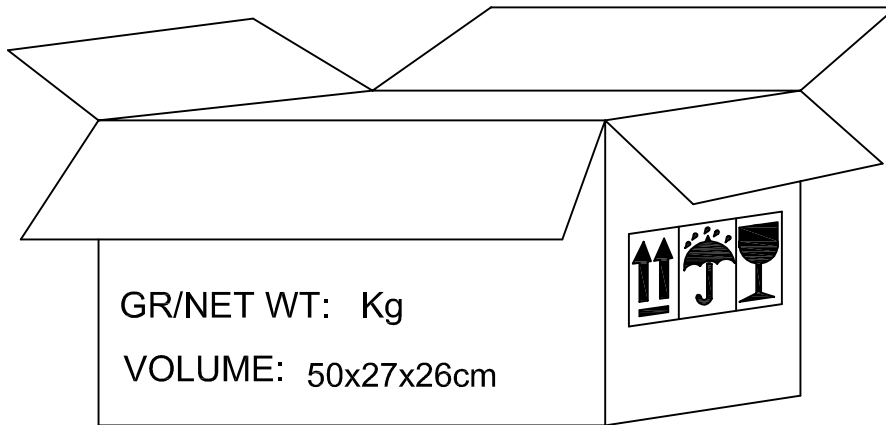
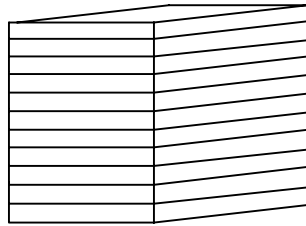
Notice: All specifications must be satisfied in this condition.

This print and information there in are proprietary to Bestar Electronics Industry Co., Ltd. and shall not be used in whole or in part without its written content

				Date:	07/10/09	BMT0903H5.5 LF	
B	07/10/09	张尚君		Drawn by:	张尚君		
A	02/07/04	姜丽敏		Checked by:	陶红仲	Transducer	
REV.	Date	Drawn	Note	Approved by:	张秀琴		
BESTAR ELECTRONICS INDUSTRY CO.,LTD						DRG NO: BS/TET01.076B	Page:3 of 5
www.be-star.com wu@be-star.com							

# BMT0903H5.5 LF

## 4. Packing



- 1)100pcs/tray
- 2)30trays/carton
- 3)3000 pcs/carton in total
- 4)carton size 50x27x26cm

## 5. Notice

### 5.1 Storage Condition

The products should be stored in the room, where the temperature/humidity is stable. And avoid such places where there are large temperature changes. Please store the products at the following conditions:

Temperature: -10 to + 40°C Humidity: 15 to 85% R.H.

### 5.2 Expire Date on Storage

Expire date (Shelf life) of the products is six months after delivery under the conditions of a sealed and an unopened package. Please use the products within six months after delivered.

If you store the products for a long time (more than six months), use carefully because the products may be degraded in the solderability and/or rusty. Please confirm solderability and characteristics for the products regularly.

### 5.3 Notice on Product Storage

(1) Please do not store the products in a chemical atmosphere (Acids, Alkali, Bases, Organic gas, Sulfides and so on), because the characteristics may be reduced at quality, and/or be degraded in the solderability due to the storage in a chemical atmosphere.

(2) Please use the products immediately after the package is opened, because the characteristics may be reduced at quality, and/or be degraded in the solderability due to storage under the poor condition.

This print and information there in are proprietary to Bestar Electronics Industry Co., Ltd. and shall not be used in whole or in part without its written content

				Date:	07/10/09	BMT0903H5.5 LF
B	07/10/09	张尚君		Drawn by:	张尚君	
A	02/07/04	姜丽敏		Checked by:	陶红仲	Transducer
REV.	Date	Drawn	Note	Approved by:	张秀琴	

